

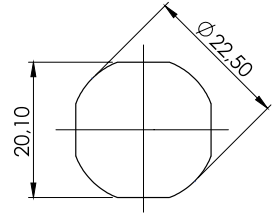
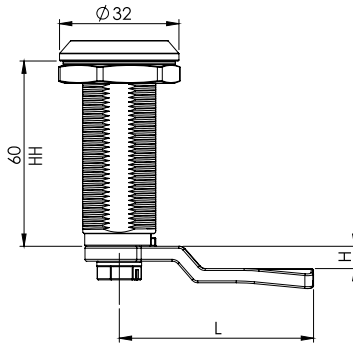
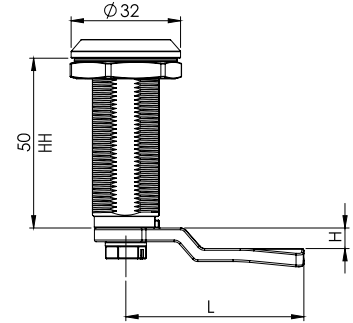
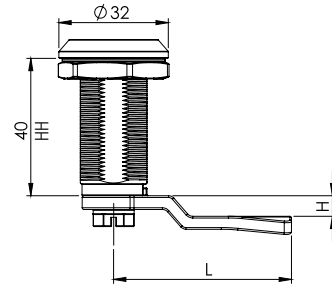
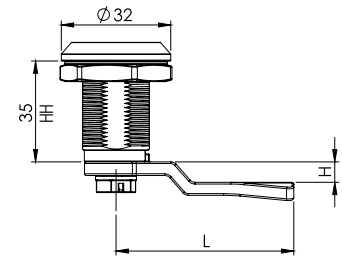
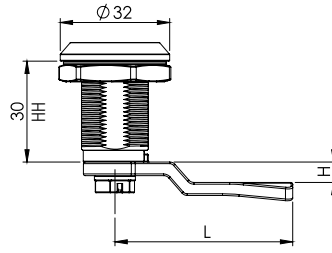
YAYLI PANO KİLİTLERİ

QUARTER TURN CAM LOCKS

233

Yaylı Pano Kilidi / Quarter Turn Cam Locks

IP65



HH 30 35 40 50 60

KULLANIM ALANLARI:

Elektrik Panoları, Makine Kapakları

APPLICATIONS:

Electric Panels, Machinery Covers

Kod Code 233
Kovan Yüksekliği Housing Height HH
Yüzey Finishing F
Göbek Insert CC
Dil Cam CM

MALZEME / MATERIAL	
KOVAN HOUSING	Zamak Zinc Die
GÖBEK INSERT	Zamak Zinc Die
SOMUN NÜT	Zamak Zinc Die
DİL CAM	Çelik Steel

YÜZEY / FINISHING		CODE
Krom Kaplama / Chrome Plated		1
Siyah Toz Boya / Black Powder Coated		2

İSP. TIRNAKLI DİLLER / CAMS FOR ROD CONTROL (CM)	
CODE	03 020 053 054 055 064
H	8 0 0 12 4 0
L	49 51 60 54 52 55

TIRNAKLI DİLLER / CAMS WITH STOPPER (CM)	
CODE	01 02 05 06 07 08 09 010 012 018 019 043 045 046 047 052 059 060 061 086
H	14 24 0 16 6 12 0 7 -12 0 0 0 4 10 -4 -2 15 12 5 6
L	48 48 46 46 52 50 54 44 50 29 64 44 43 48 46 52 44 44 45 62

GÖBEK / INSERT (CC)		GÖBEK / INSERT (CC)	
11	5 mm / DB	30	5 mm / DB
18	9 mm Üçgen / Triangle	31	9 mm Üçgen / Triangle
23	8 mm Kare / Square	32	8 mm Kare / Square

For 30-35 and 40 mm

For 50 and 60 mm