

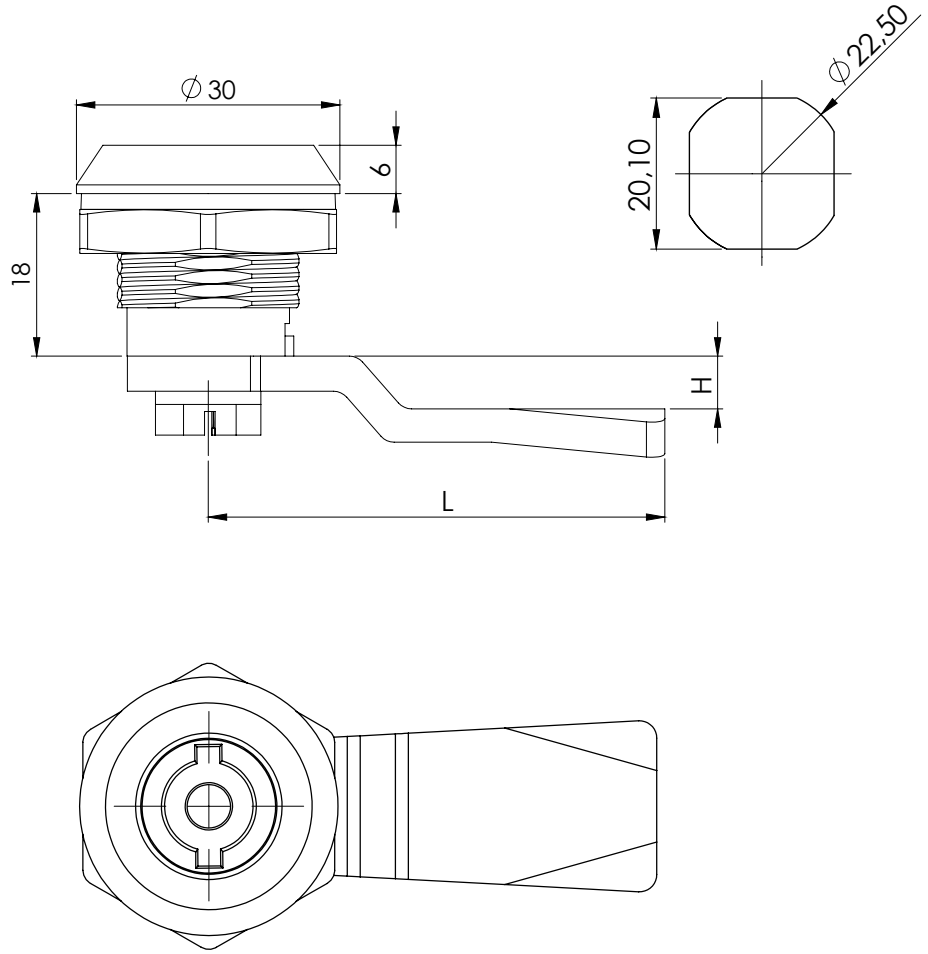
# YAYLI PANO KİLİTLERİ

## QUARTER TURN CAM LOCKS

201-P

Yaylı Pano Kilidi / Quarter Turn Cam Locks

IP65



### KULLANIM ALANLARI:

Elektrik Panoları, Makine Kapakları

### APPLICATIONS:

Electric Panels, Machinery Covers

| MALZEME / MATERIAL |                    |
|--------------------|--------------------|
| KOVAN HOUSING      | Poliamid Polyamide |
| GÖBEK INSERT       | Zamak Zinc Die     |
| SOMUN NUT          | Zamak Zinc Die     |
| DİL CAM            | Çelik Steel        |

| Kod Code | Göbek Cylinder | Dil Cam |
|----------|----------------|---------|
| 201-P    | CC             | CM      |

| BAREL / CYLINDER (CC) |                  |                     |                     |                     |  |
|-----------------------|------------------|---------------------|---------------------|---------------------|--|
| 3 mm / DB             | 5 mm / DB        | 7 mm Üçgen/Triangle | 8 mm Üçgen/Triangle | 9 mm Üçgen/Triangle |  |
| 10                    | 11               | 15                  | 17                  | 18                  |  |
| 6 mm Kare/Square      | 7 mm Kare/Square | 8 mm Kare/Square    | 6 mm Allen          | 8 mm Allen          |  |
| 21                    | 22               | 23                  | 29                  | 40                  |  |

| İSP. TIRNAKLI DİLLER / CAMS FOR ROD CONTROL (CM) |      |    |     |     |     |     |     |
|--|------|----|-----|-----|-----|-----|-----|
|  | CODE | 03 | 020 | 053 | 054 | 055 | 064 |
|  | H    | 8  | 0   | 0   | 12  | 4   | 0   |
|  | L    | 49 | 51  | 60  | 54  | 52  | 55  |

| TIRNAKLI DİLLER / CAMS WITH STOPPER (CM) |      |    |    |    |    |    |    |    |     |     |     |     |     |     |     |     |     |     |     |     |     |
|--|------|----|----|----|----|----|----|----|-----|-----|-----|-----|-----|-----|-----|-----|-----|-----|-----|-----|-----|
|  | CODE | 01 | 02 | 05 | 06 | 07 | 08 | 09 | 010 | 012 | 018 | 019 | 043 | 045 | 046 | 047 | 052 | 059 | 060 | 061 | 086 |
|  | H    | 14 | 24 | 0  | 16 | 6  | 12 | 0  | 7   | -12 | 0   | 0   | 0   | 4   | 10  | -4  | -2  | 15  | 12  | 5   | 6   |
|  | L    | 48 | 48 | 46 | 46 | 52 | 50 | 54 | 44  | 50  | 29  | 64  | 44  | 43  | 48  | 46  | 52  | 44  | 44  | 45  | 62  |