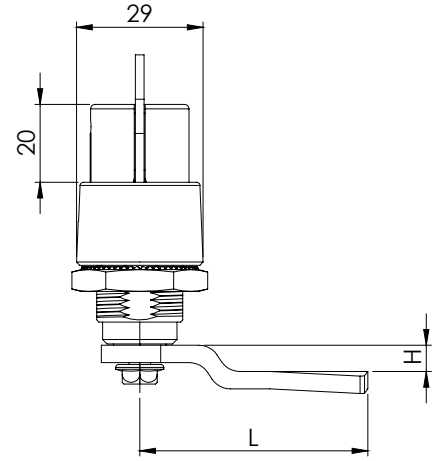
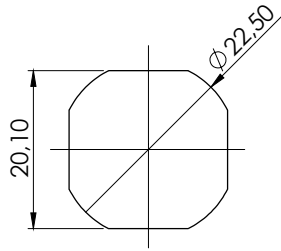
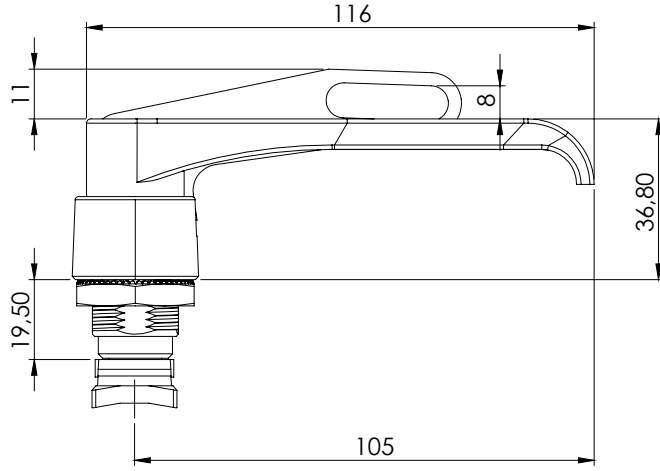


# KOLLU PANO KİLİTLERİ

## SWING HANDLES

248

L Kollu Kilit / L Handle Lock



### KULLANIM ALANLARI:

Elektrik Panoları, Makine Kapakları,  
Bilgisayar Kabinleri

### APPLICATIONS:

Electric Panels, Machinery Covers,  
Rack Cabinets

MALZEME / MATERIAL	
GÖVDE BODY	Zamak Zinc Die
ASMA HAMİL PADLOCK DEVICE	Paslanmaz Çelik Stainless Steel
DİL CAM	Çelik Steel

Kod  
Code

248

Dil  
Cam

CM

### İSP. TIRNAKSIZ DİLLER / WITHOUT STOPPER CAMS FOR ROD CONTROL (CM)



CODE	03	020	053	054	055	064
H	8	0	0	12	4	0
L	49	51	60	54	52	55

### TIRNAKSIZ DİLLER / CAMS WITHOUT STOPPER (CM)



CODE	01	02	05	06	07	08	09	010	019	043	045	046	086
H	14	24	0	16	6	12	0	7	0	0	4	10	6
L	48	48	46	46	52	50	54	44	64	44	43	48	62