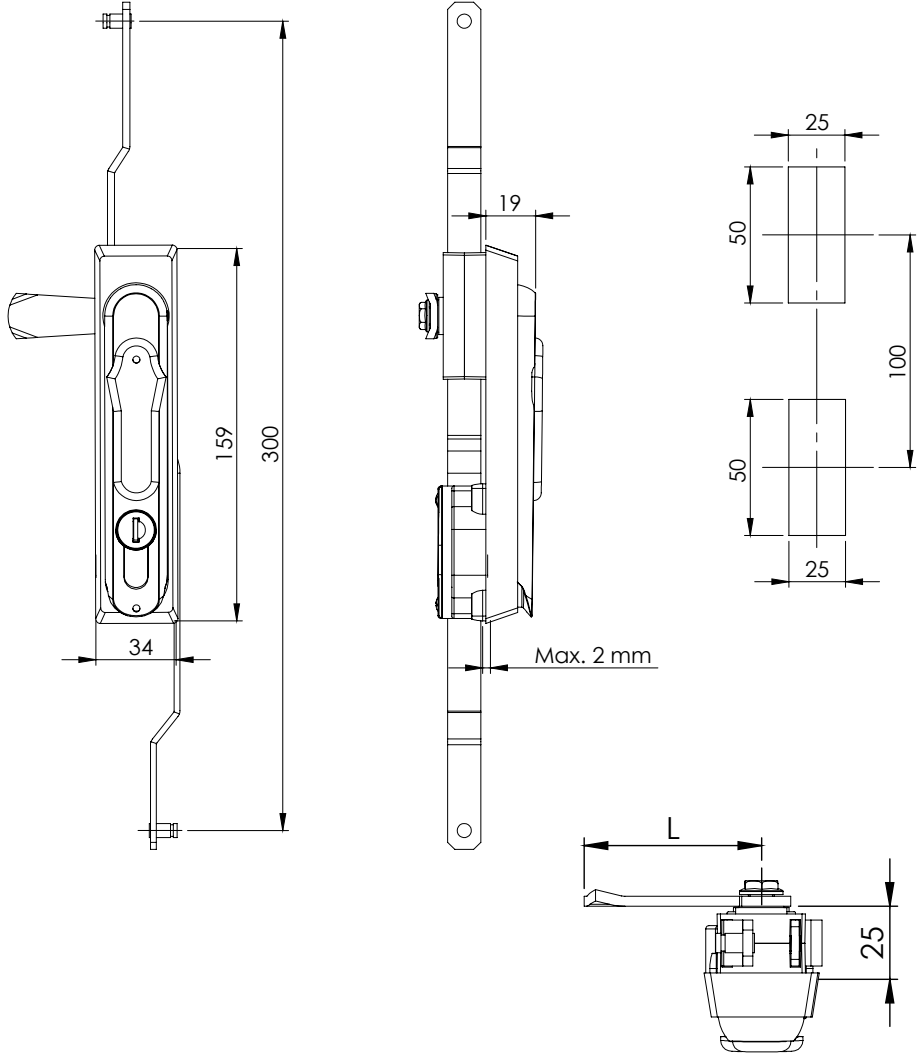




Asma Kilit
Padlock Device Selectable



KULLANIM ALANLARI:

Elektrik Panoları, Makine Kapakları,
Bilgisayar Kabinleri

APPLICATIONS:

Electric Panels, Machinery Covers,
Rack Cabinets

Kod
Code

050

Barel
Cylinder

CC

Dil
Cam

CM

Asma Kilit İçin

A

Padlock Device

MALZEME / MATERIAL

GÖVDE BODY	Paslanmaz AISI 316 Stainless Steel AISI 316
KOL HANDLE	Paslanmaz AISI 316 Stainless Steel AISI 316
BAREL CYLINDER	Pirinç veya Zamak Brass or Zinc Die
MEKANİZMA MECHANISM	Zamak Zinc Die
DİL CAM	Paslanmaz Stainless Steel

BAREL / CYLINDER TYPE (CC)

CODE



Aynı Şifreli / Keyed Alike

01

Farklı Şifre / Keyed Different

02

Eurokey (1333)

03

TIRNAKSIZ DİLLER / CAMS WITHOUT STOPPER (CM)



CODE	01	02	05	06	07	08	09	010	019	043	045	046	086
H	14	24	0	16	6	12	0	7	0	0	4	10	6
L	48	48	46	46	52	50	54	44	64	44	43	48	62